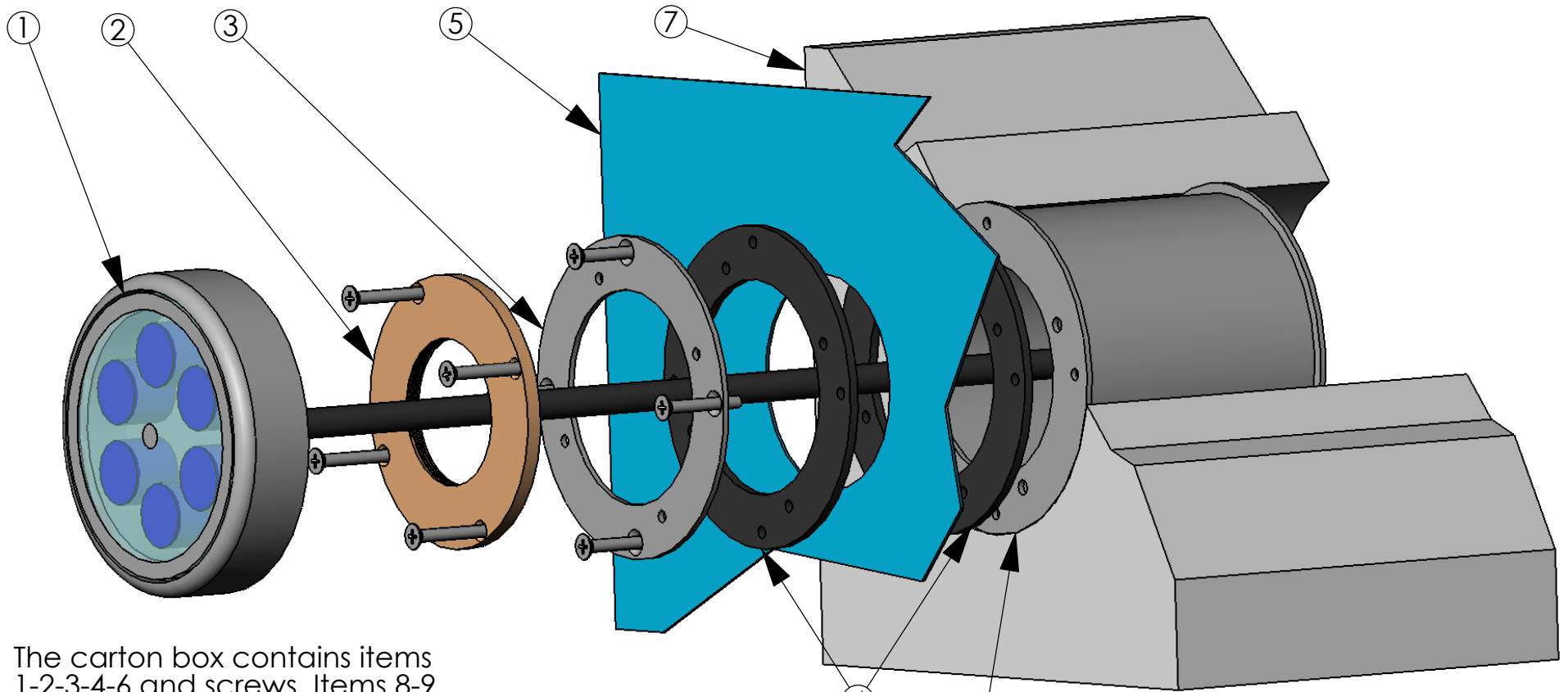
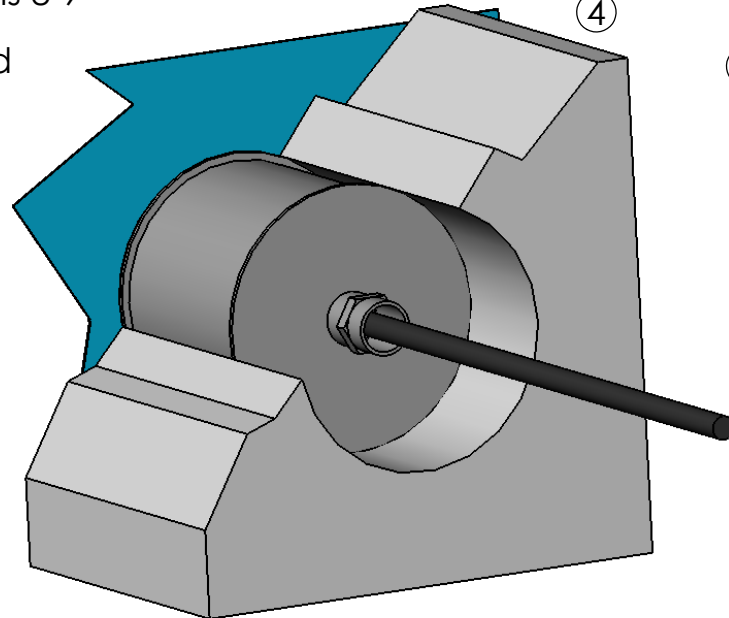


N	COMPONENTI - COMPONENTS
1	FARO ALITER POOL - ALITER POOL SPOT
2	GUARNIZIONE OR - RING GASKET
3	VITI DI FISSAGGIO - FIXING SCREWS
4	RONDELLA DI FISSAGGIO - FIXING FLANGE
5	TELO IN PVC - PVC LINER
6	GUARNIZIONI IN GOMMA - RUBBER GASKETS
7	MANICOTTO - PIPE UNION
8	PASSANTE DA PARETE cm 25 - WALL PASSAGE UNION (cm 25)



The carton box contains items 1-2-3-4-6 and screws. Items 8-9 are not included but are accessories to be ordered separately.

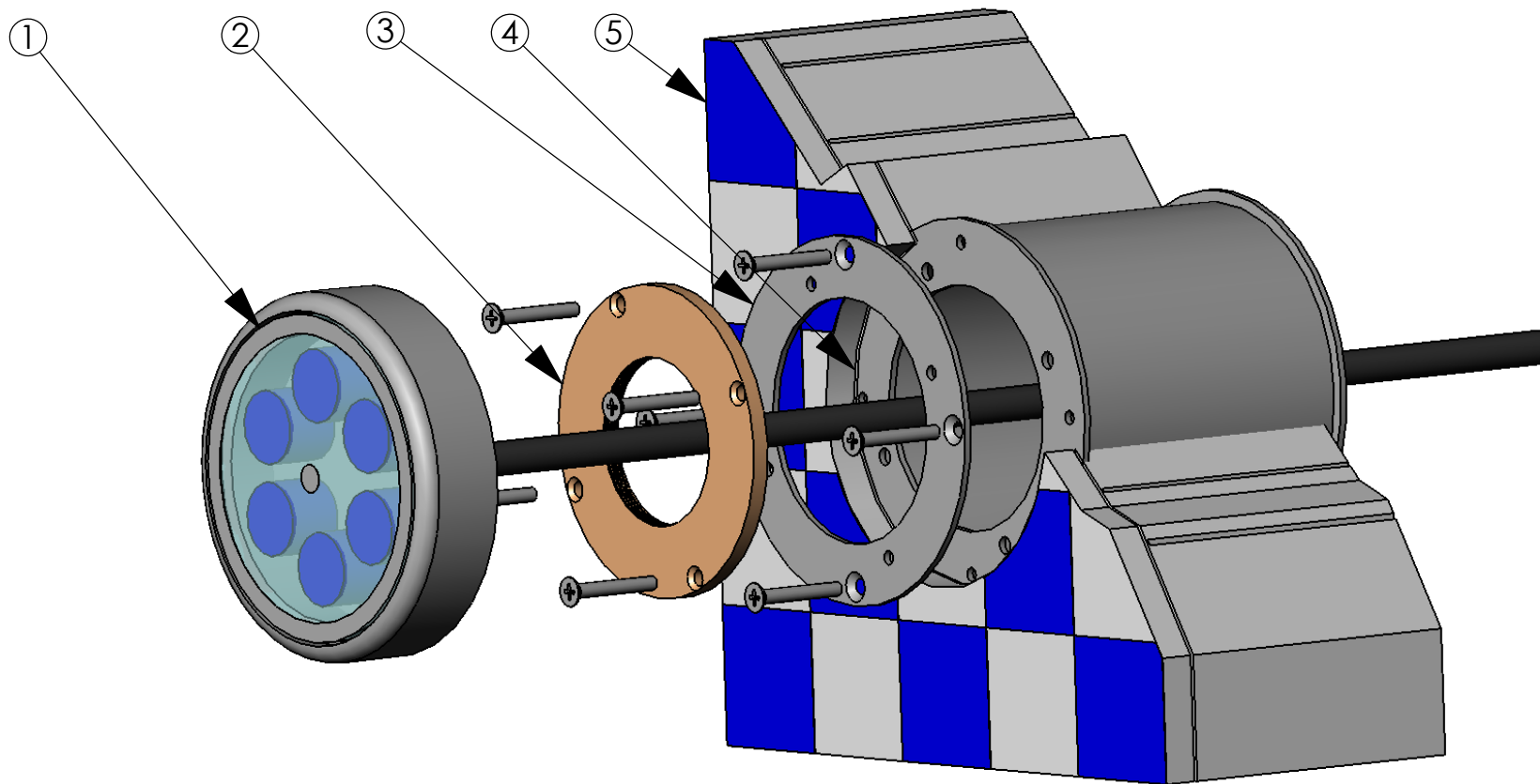


- 1 = Spot Aliter Pool
- 2 = RFP
- 3 = CLK flange
- 4 = Rubber gaskets
- 5 = Liner
- 6 = Recessed housing
- 7 = Concrete wall
- 8 = Junction M20
- 9 = Spiral sheath



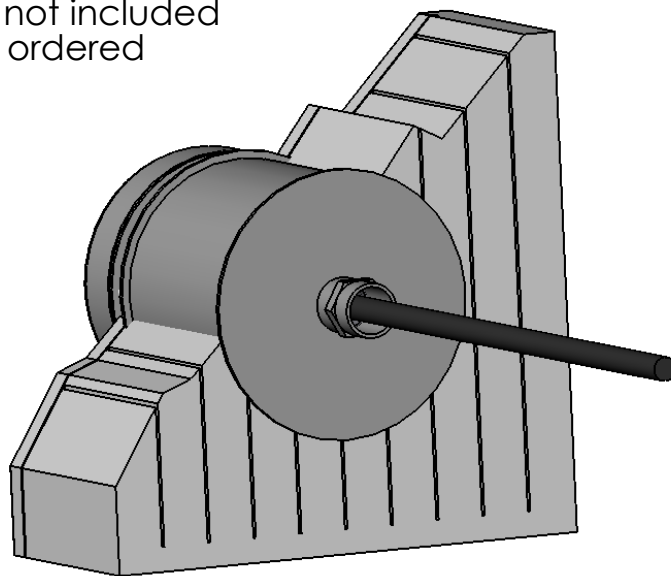
⑧

⑨



The carton box contains items 1-2-3-4 and screws. Items 6-7 are not included but are accessories to be ordered separately.

- 1 = Spot Aliter Pool
- 2 = RFP
- 3 = CLK flange
- 4 = Recessed housing
- 5 = Concrete wall
- 6 = Junction M20
- 7 = Spiral sheath



⑥



⑦